



MART SUSTAINABLE FOUNDATIONS



THE FOUNDATIONS FOR MORE SUSTAINABLE  
ROADS AND URBAN DEVELOPMENTS

# SMART SUSTAINABLE FOUNDATIONS

Awarded Innovator of the year Smart Sustainable Foundations (unlike metal and concrete) are impact resistant and continue working for the entire lifespan of a development

Awarded DOH&S Worksafe Award Smart Sustainable Foundations greatly improve safety and efficiency of new works, maintenance and upgrades

Approved nationally- the infrastructure for an entire development can now be installed in a single day and damaged items are quickly and efficiently replaced without disturbance.



ZERO WASTE, ZERO HARM



### REDUCE WASTE

Zero on-going carbon intensive concrete waste or tipping fees.



### IMPROVE SAFETY

No digging or heavy labour and time on location reduced considerably.



### IMPROVE EFFICIENCY

Replacements are fast and efficient without disturbance to public or underground services.



### REDUCE COSTS

The money not spent on repeatedly replacing footings can be used for further improvements.



### SUPERIOR DESIGN

Developments become dynamic as items can be quickly removed or relocated for events, maintenance and upgrades.



### ZERO CONSUMPTION

Zero on-going consumption of finite carbon intensive resources for decades to come.

ZERO WASTE, ZERO HARM

# SMART DESIGN

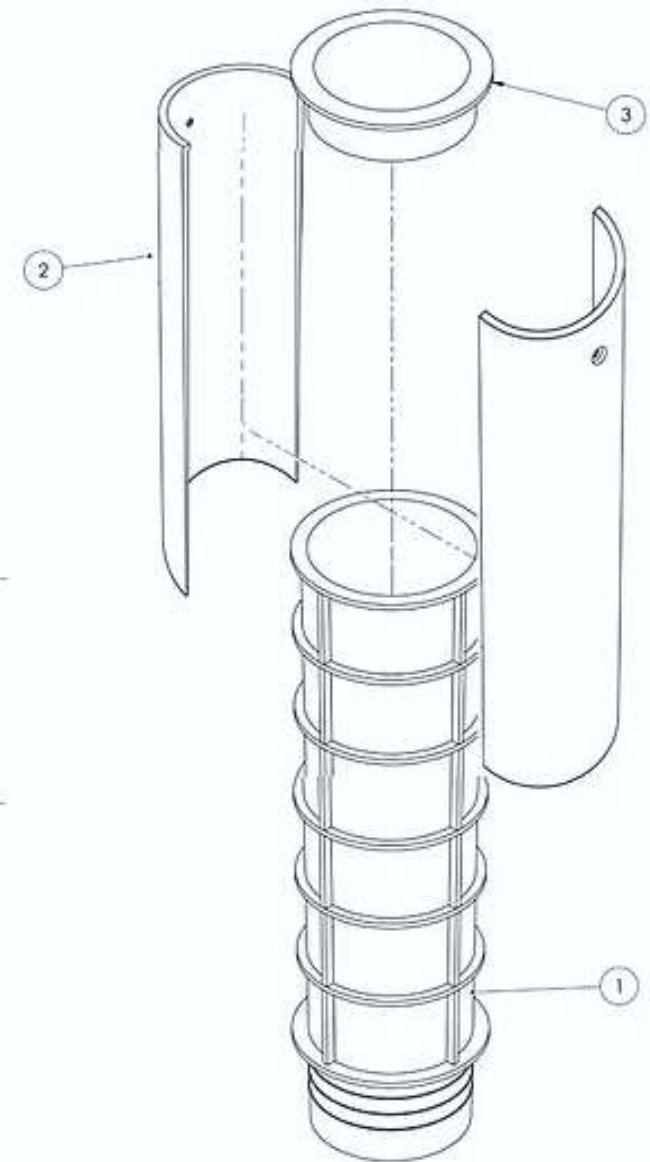
**UNIT INCLUDES:** Ground socket; Self-locking Taper, Cap & Self drilling screws

Smart Shock absorbing, self-healing ground socket variable depth \_\_\_\_\_

Smart Self-locking Taper (attached to post using self-drilling screws) \_\_\_\_\_

Cap-no trip factors \_\_\_\_\_

No replacement parts required for the life of a development \_\_\_\_\_



ZERO WASTE, ZERO HARM

# SMART TOOLS

Ground sockets can be installed by simply positioning upright when pouring concrete footings, or retrofitted (tool available to enable installation from standing position)

Smart ergonomically designed tools allow quick replacement of roadside items from a standing position facing traffic

Eradicating the need for digging and heavy labour and reducing time spent in dangerous locations, substantially reducing the risk of workplace injury

WORKSAFE AWARD DOH&S



ZERO WASTE, ZERO HARM

# WHAT MAKES THEM SO SMART?

With no breakable components, Smart Sustainable Foundations are designed to last!

- > Items lock in using friction- no metal pins or breakable components.
- > Unlike rigid metal and concrete, polypropylene is shock absorbing and self-recovers.
- > Foundations remain in pristine condition with items perfectly aligned, safe and secure year after year.
- > Because there are no parts to rust or break, they work every time - even sheared off or flattened posts.
- > The money saved by making footings re-usable can be used for further improvements.

BUY NOW

*"Our selection is not based on price alone, we also took into consideration the safety and saving aspects.*

*The Smart Sustainable Foundations allow quick replacement of posts with no further effort required to the base, (providing a significant cost benefit in replacing the damaged signpost by re-using the existing footing)*

*reducing risk of injury to employees by reducing time spent on traffic islands exposed to traffic."*

MAIN ROADS W.A.